

Small Side Table for the GC600 & GC680





Installation and Use Instructions

Introduction

This small side table is compact and quick to set up, ideal for a swift cuppa on the go. As with all our products it can be installed without the need for any permanent alterations to your VW Grand California. The initial set up should take only 5 minutes.

This table is compatible with both the GC600 and the GC680.

Components

ID	Description	Image	QTY
A	Table top made from 6mm HPL		1
B	Table mounting bracket part 1		2
C	Table mounting bracket part 2		2
D	Counter sunk socket screw, M5 x 18mm		4

Levelling the table

1. All parts are delivered pre-assembled.
2. The table mounting brackets part 2 (C) have been designed with a slotted hole so that they can be extended or retracted relative to the mounting bracket part 1 (B). This enables the table to be levelled to account for any manufacturing tolerances of the aluminium track and the table mounting brackets. This adjustment is intended to

be made once, on initial use, it is not intended to be adjusted to account for uneven ground each time you move the campervan to a new site.

3. With the table mounting bracket part 2 (C) fully retracted as shown in Figure 1 the tip of the table will point upwards. With the table mounting bracket part 2 (C) fully extended as shown in Figure 2 the tip of the table will point down.
4. To adjust the level:
 - a. Start with the mounting bracket part 2 (C) fully retracted as shown in Figure 1.
 - b. Attach the side table to the aluminium rail in your Grand California (the tip of the table will be pointing upwards at this stage).
 - c. Slightly loosen the countersunk socket screws using the supplied Allen key just enough so that the bracket is extended and the tip of the table can be lowered.
 - d. With the table at the desired angle, tighten the socket screws. The two aluminium blocks will grip each other quite well so there is no need to overtighten the socket screws, hand tight is sufficient.
5. If you end up with the tip of the table pointing down, repeat steps 4a to 4d until you achieve a satisfactory level table.
6. Keep in mind that this adjustment only compensates for left – right tilt, there is no adjustment necessary for forward – backwards tilt, (from the perspective of the driver’s position).
7. A spirit level or digital level (now often found as a smart phone app) can be used to ensure the table is level relative to another surface (the floor or kitchen worksurface).
8. When not in use the table can be stored in the storage compartment under the table, or in any other location of your choosing, but please do make sure that the table is removed and stored securely before driving.

 **Caution – always stow the table securely before driving.**

Installation complete.

We hope you enjoy your side table. If you encounter any difficulties, please do not hesitate to contact us for advice and support:

by e-mail: hello@yescampervan.co.uk

On our web page: www.YesCampervan.co.uk

Please could you take a moment to leave a review on our Google profile or Facebook page? As a small but growing family business we really appreciate your feedback and support in this way, just scan the QR code below:

Google Reviews



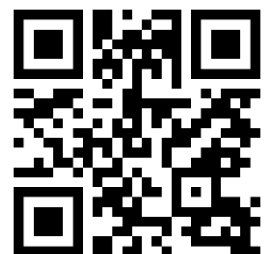
Facebook



Instagram



Yescampervan.co.uk



Figures 1-3



Figure 1. Part (C) fully retracted (tip of the table will point upwards).



Figure 2. Part (C) fully extended (tip of the table will point downwards).



Figure 3. When the table is at the desired angle tighten the four countersunk socket screws.